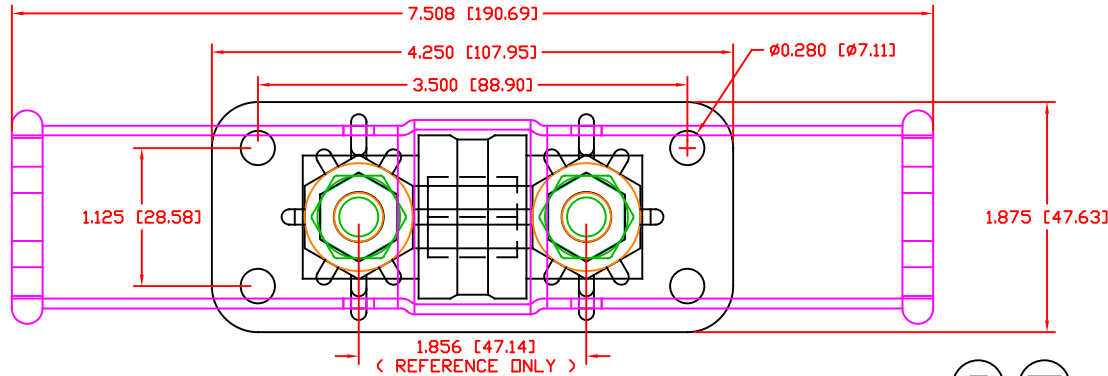


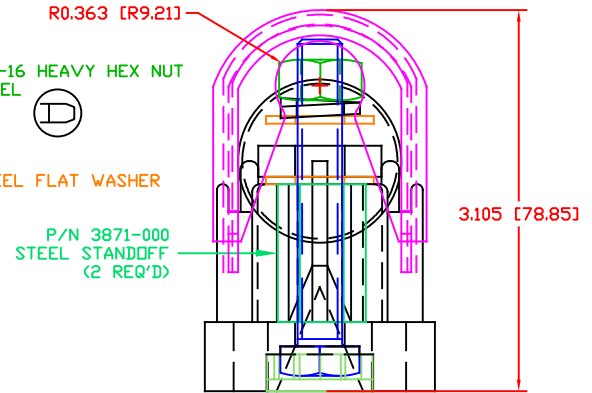
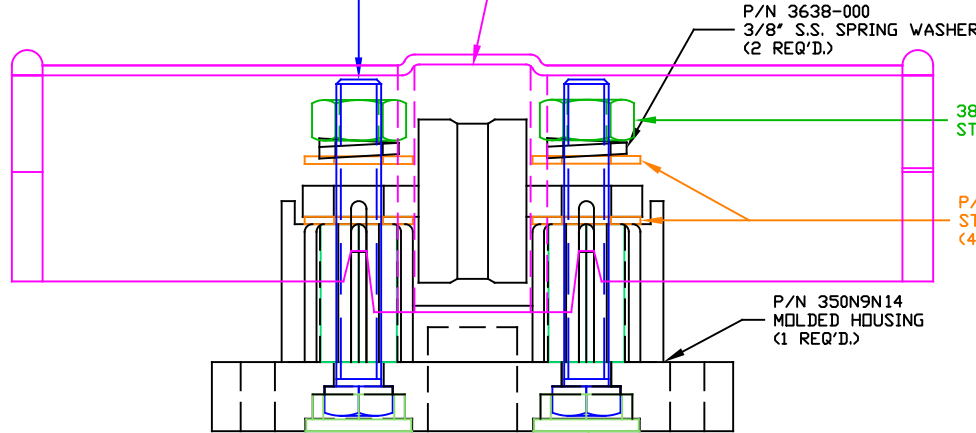
THE INFORMATION CONTAINED IN THIS DRAWING IS THE SOLE PROPERTY OF VTE INCORPORATED. ANY REPRODUCTION IN PART OR WHOLE WITHOUT THE WRITTEN PERMISSION OF VTE INCORPORATED IS PROHIBITED. VTE MAKES NO WARRANTY, EXPRESSED OR IMPLIED, AS TO THE SUITABILITY OF A PRODUCT FOR ANY INTENDED USE. THE CUSTOMER SHALL BEAR THE SOLE RESPONSIBILITY OF DETERMINING THE SUITABILITY OF ANY VTE PRODUCT FOR ITS END USE.

LTR.	REVISIONS	DATE	INT.
A	3740-006 WAS 3740-001	11-15-05	BRH
B	333NO WAS 329NO, REM. 3740-006, 3740-007, ADDED 3740-008 AND 3844-002	3-08-06	BRH
C	351N8P00 WAS 351N8V00	7-30-15	BRH
D	REPLACED P/N 3844-002 WITH P/N 3844-009	3-18-16	RAS
E	PN 333NOV** CHANGED TO 333NON**	3-17-17	RAS
F	UPDATED COVER INFO	3-17-17	RAS
G	ADDED ADDITIONAL INFORMATION FOR PROPER USE	2-16-18	RAS



P/N 3740-008  
3/8"-16X2-1/2" STAINLESS STEEL  
HEX HEAD BOLT (2 REQ'D.)

P/N 751N8P00 ASSEMBLY  
CLEAR MOLDED COVER  
CONTAINS PART#'S : 351N8P00  
16803040001



SCALE FACTOR : NONE  
ALL DIMENSIONS GIVEN AS: in [mm]  
TOLERANCES UNLESS OTHERWISE SPECIFIED :  
MOLDED PARTS:  $\pm 0.30"$  [ $\pm 0.8\text{mm}$ ]  
HARDWARE ITEMS:  $\pm 0.010"$  [ $\pm 0.25\text{mm}$ ]

FUSE NOT INCLUDED  
SHOWN FOR ILLUSTRATIVE PURPOSES ONLY  
MAXIMUM AMPERAGE: 400 AMPS @ 12VDC  
MAXIMUM VOLTAGE: 48VDC  
MAXIMUM RECOMMENDED FASTENER TORQUE:  
STAINLESS HEAVY HEX NUT: 180 IN./LBS. [20.3 Nm]

MATERIAL PART NO: 111210514UL  
MATERIAL: GLASS FILLED NYLON  
VENDOR PART NO: HYLON N2015 HL BK  
SPECIFIC GRAVITY: 1.23  
MELTING TEMP: 515 F [268 C]  
U.L. RATING: UL 94 HB



VTE Incorporated  
5437 Robinson Road, P.O. Box 790  
Pellston, Michigan 49769  
Telephone: 1-800-527-9256, 231-539-8000  
FAX: 231-539-0914

REF:	DATE: 6-14-05	DRN BY: BRH	WEIGHT:
TITLE: "T" CLASS FUSEHOLDER ASSY.		CHK'D BY: BRH	SCALE:
MATERIAL:		PART NO. TFB735N8N14	
COLOR:	DRG CLASS REV G		